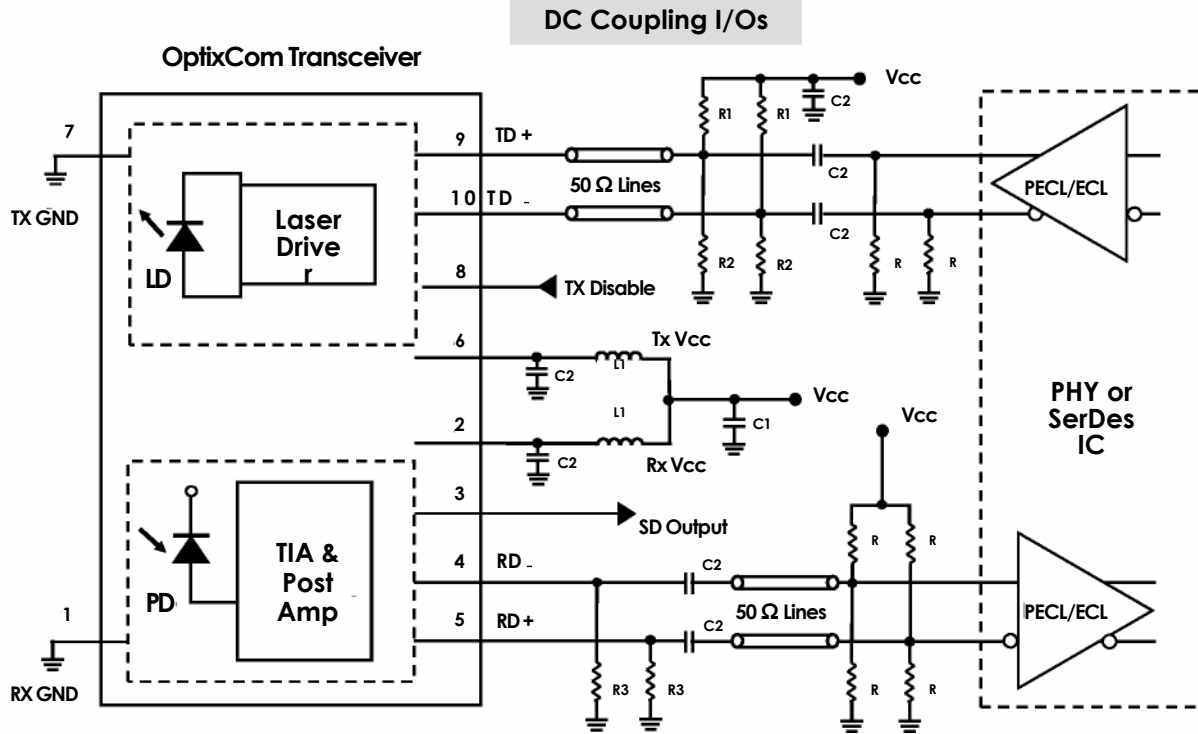
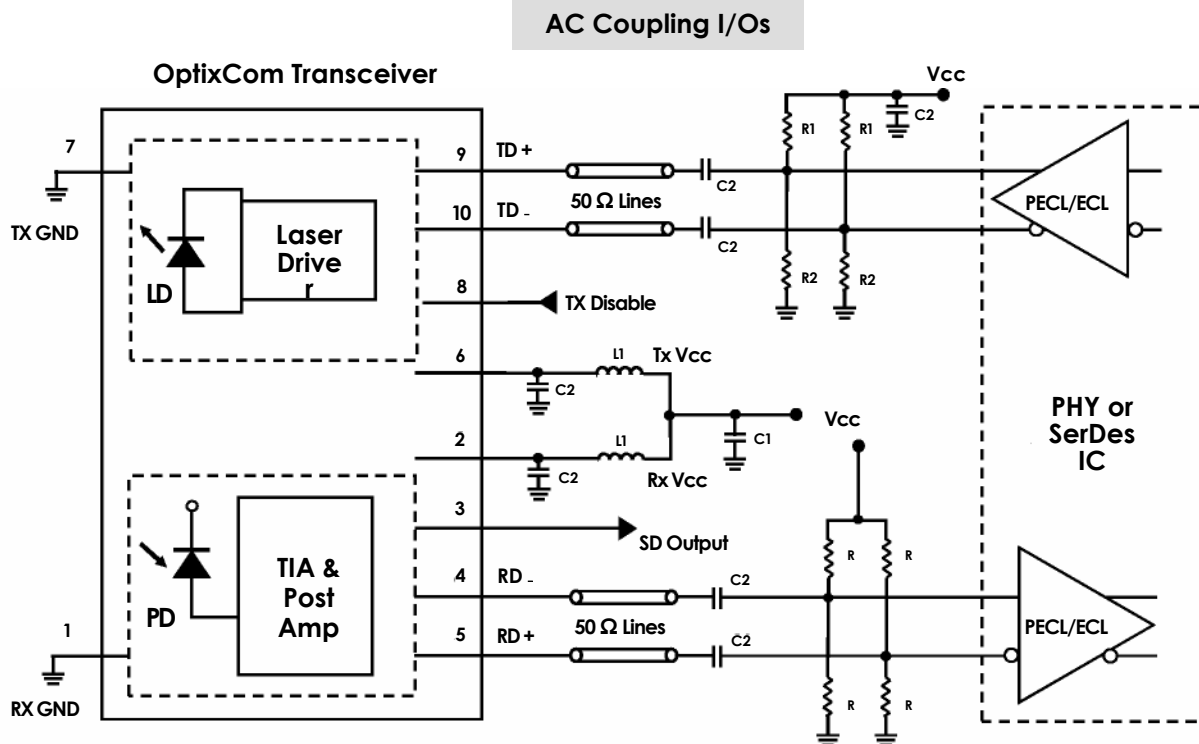


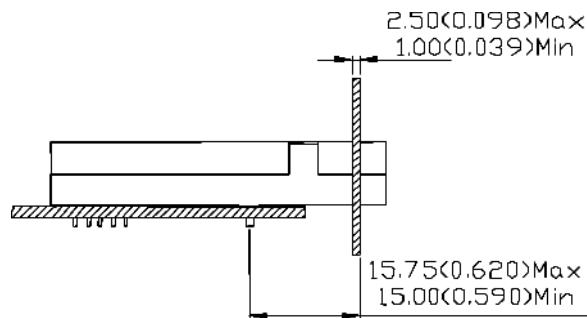
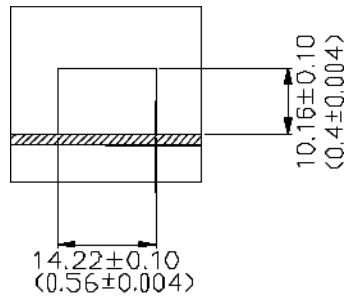
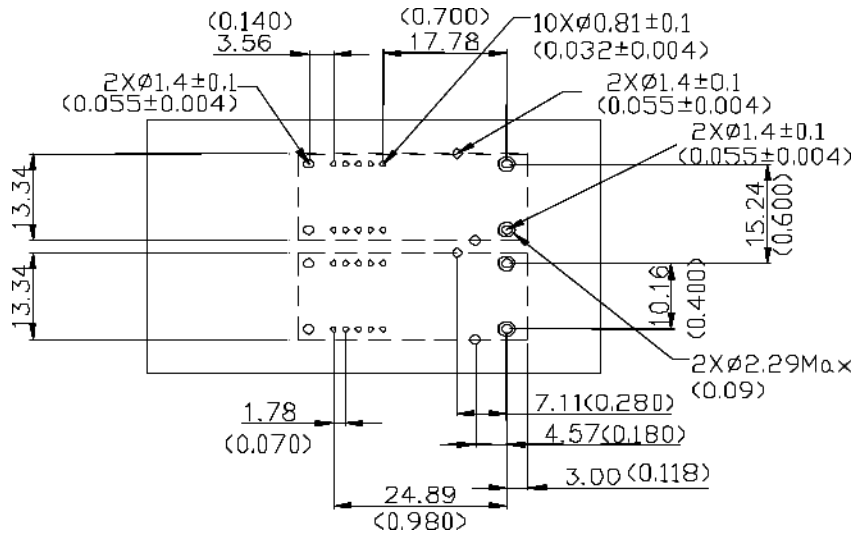
B. Recommended Interface Circuit



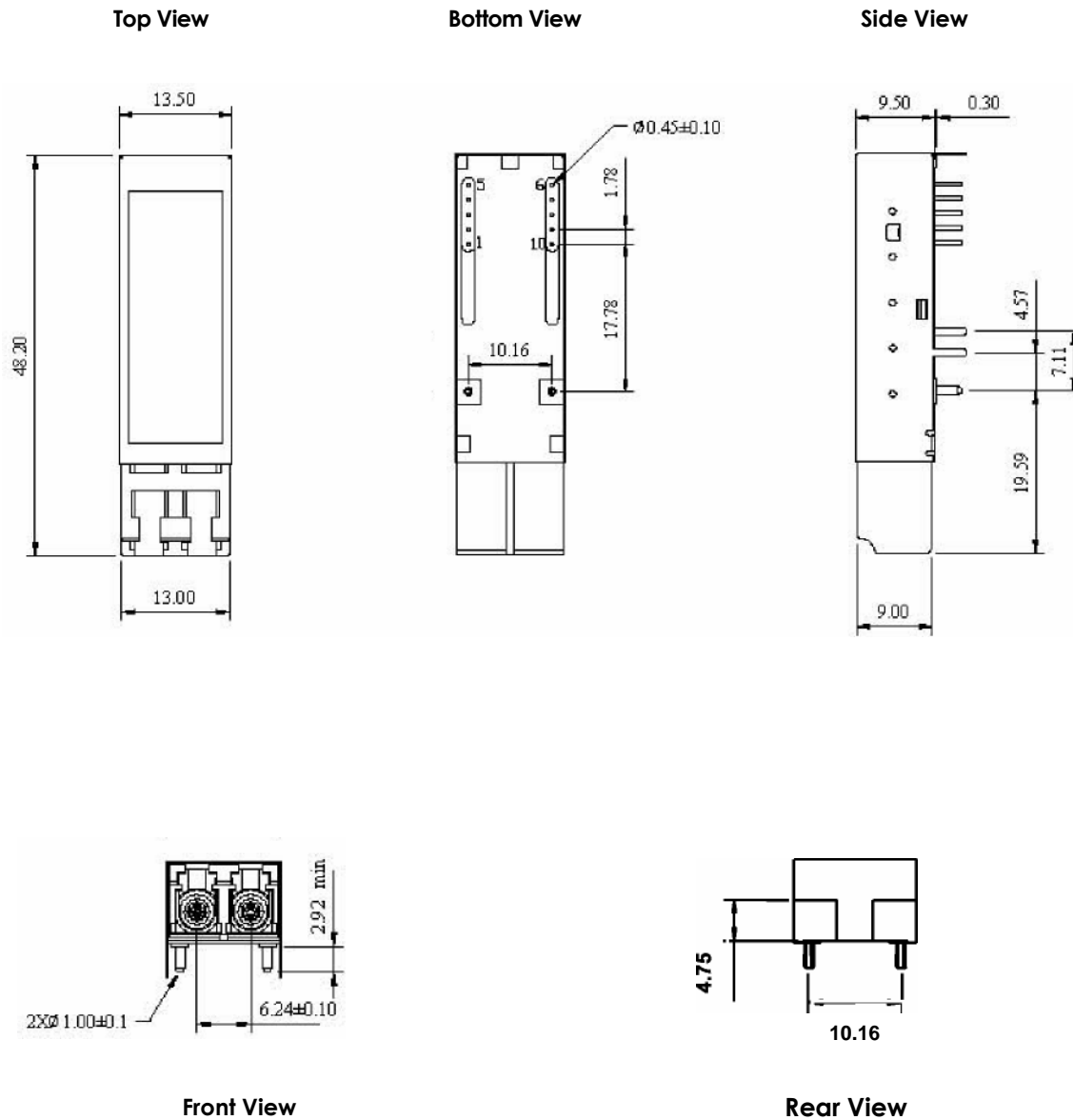
C1: 4.7 μ F, C2: 100 nF, L1: 1 μ H, R1: 82 Ω , R2: 130 Ω , R3: 180 Ω , R: depends on SerDes IC



C. Host Board Mechanical Layout



D. Package Outline



Unit: mm, typical tolerance for these dimensions is 0.2 mm